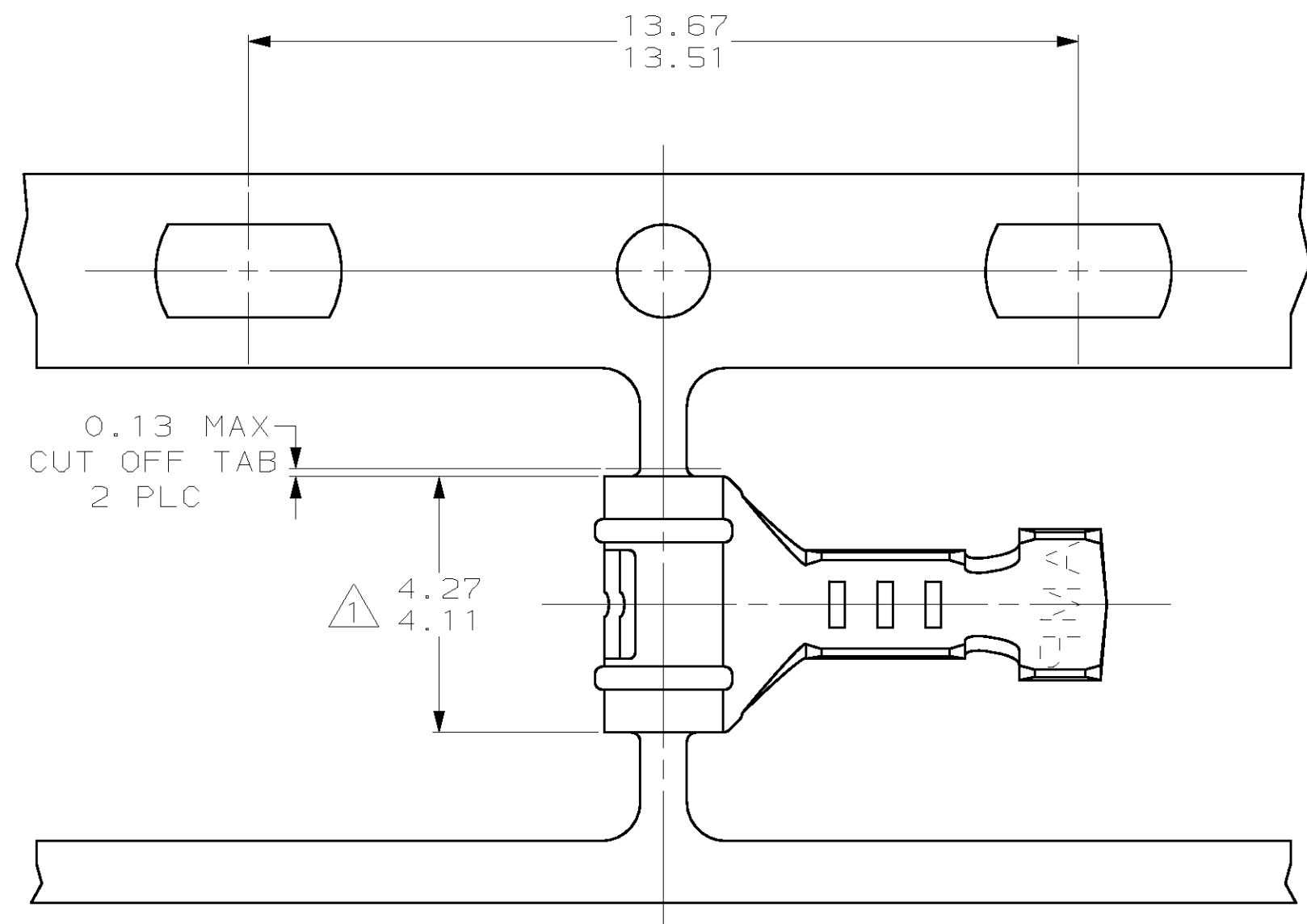
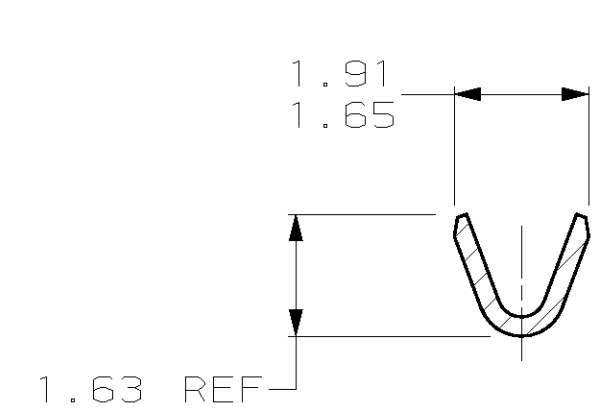
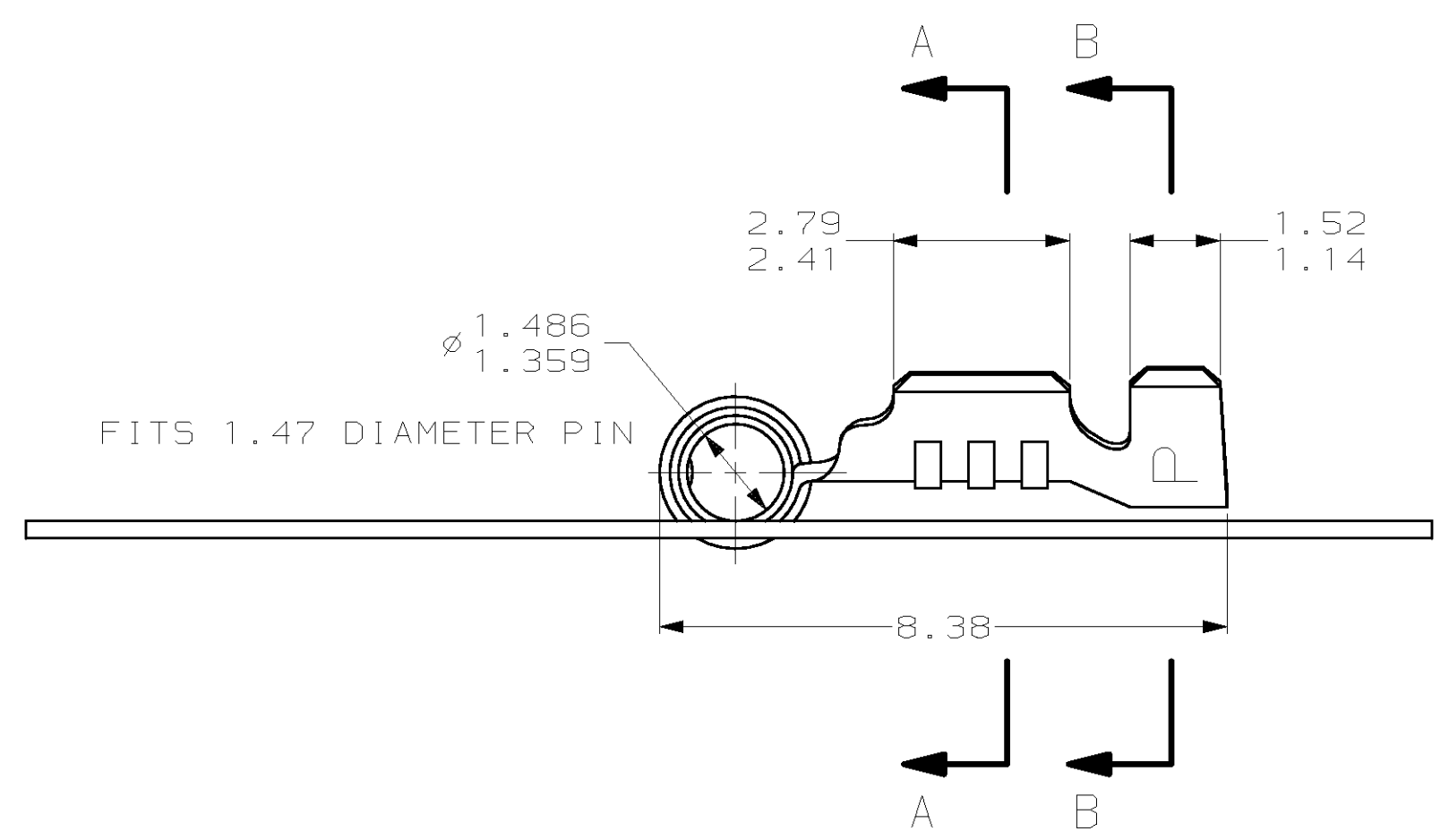


THIS DRAWING IS UNPUBLISHED. RELEASED FOR PUBLICATION  
 (C) COPYRIGHT 19 BY AMP INCORPORATED. ALL RIGHTS RESERVED.

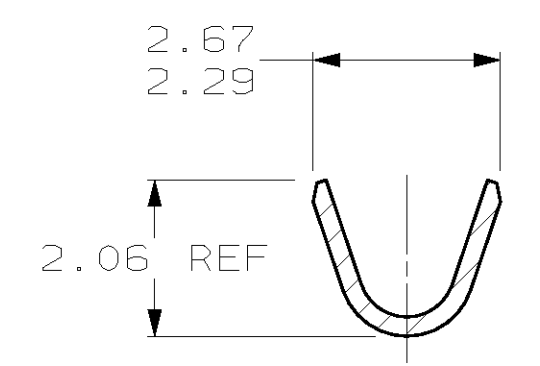
LOC	DIST	REVISIONS			
P	LTR	DESCRIPTION	DATE	DWN	APVD
CM	52	E	REV & REDWN PER EC 0L30-0125-97	6-3-97	TB RS



- 1. 0.00038 MIN SELECTIVE GOLD PLATING ON INSIDE OF RECEPTACLE OVER NICKEL OVER ALL UNDERPLATE.
- 2. WIRE RANGE: 0.12 - 0.4 MM<sup>2</sup> (26 - 22 AWG)
- 3. INSULATION RANGE: 0.89 - 1.65



SECTION A-A



SECTION B-B

PRE-TIN	0.25 PH BRZ	61513-2
△	0.25 BE COPPER	61513-1
FINISH	MATERIAL	PART NUMBER

1.359	.0535	1.91	.075	4.11	.162	-	-
1.14	.045	1.65	.065	2.79	.110	-	-
0.89	.035	1.63	.064	2.67	.105	13.67	.538
0.25	.010	1.52	.060	2.41	.095	13.51	.532
0.13	.005	1.486	.0585	2.29	.090	8.38	.330
0.00038	.000015	1.47	.058	2.06	.081	4.27	.168
MM	IN	MM	IN	MM	IN	MM	IN

CONVERSION TABLE

**METRIC**

THIS DRAWING IS A CONTROLLED DOCUMENT.

DIMENSIONS: mm	TOLERANCES UNLESS OTHERWISE SPECIFIED:	DWN T. BECK 6-03-97	<b>AMP</b> AMP Incorporated Harrisburg, PA 17105-3608
	0 PLC ±- 1 PLC ±- 2 PLC ±0.13 3 PLC ±- 4 PLC ±- ANGLES ±-	CHK R. SWING 6-03-97	
MATERIAL SEE TABLE	FINISH SEE TABLE	APVD A. BEDDICK 6-17-97	NAME RECEPTACLE, .058 DIAMETER, 26-22 AWG, .035-.065 INSULATION, RIGHT ANGLE, P.C. CONTACT
		PRODUCT SPEC 108-1025	SIZE CAGE CODE DRAWING NO. RESTRICTED TO
		APPLICATION SPEC 114-1008	A2 00779 C-61513
		WEIGHT -	SCALE 10:1 SHEET 1 OF 1 REV F
		CUSTOMER DRAWING	